

PRODUCT DATA SHEET

BIANCO - FC75M • 802805



BRAND

BIANCO
PUMPZ

PRODUCT DETAILS

The BIANCO FC75M is a robust cast iron, single stage, horizontal end suction centrifugal pump. Manufactured using high quality materials and components BIANCO FC Series are quiet and reliable offering 'best in class' high performance operation.

APPLICATIONS

- Ideal for use in small-scale agriculture, horticulture or other limited industrial services
- Wash-down, tank filling, HVAC, circulation, fire suppression, pressure boosting.

FEATURES

- 240V single phase TEFC motor with in-built auto reset thermal overload to prevent pump from damage
- 2m H07 power cable with IEC type I Au/NZ 10 amp 3 pin plug
- Excellent motor and hydraulic efficiency
- Electrochemical **cataphoresis** treatment applied to the pump body for enhanced corrosion resistance

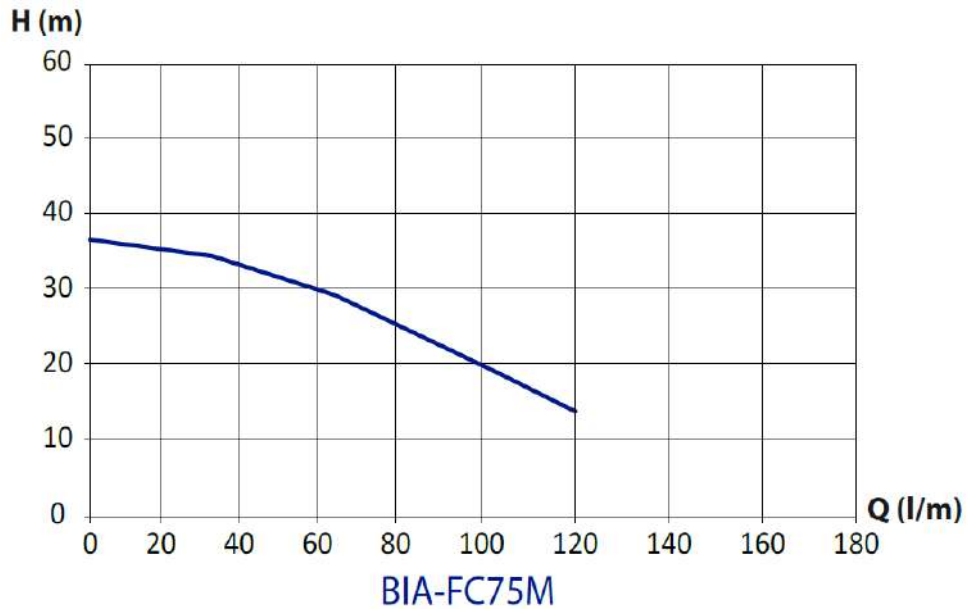
To protect the pump from excessive cycling and to isolate from the effects of water hammer, adding a pressure tank to the system is highly recommended

TECHNICAL DATA

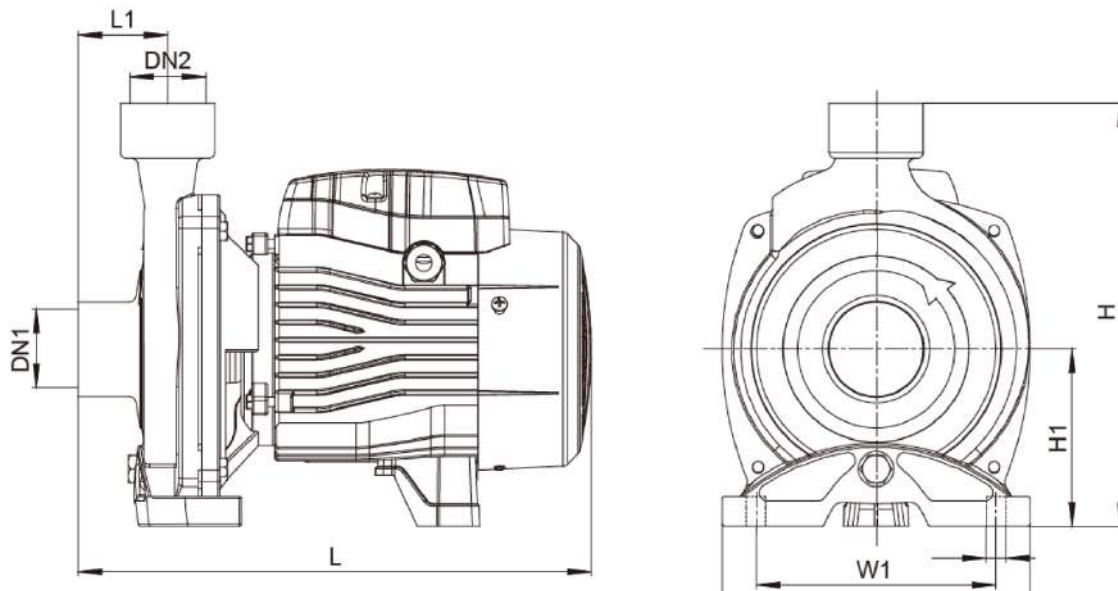
RATED POWER (P2)	0.75kW (1.0hp)
MAX. FLOW [LPM]	119 LPM
MAX. HEAD [M]	37m
MAX. PRESSURE RATING	8 bar
FLUID TEMP RANGE	4 - 60 deg C
MAX. AMBIENT TEMP	40 deg C
MOTOR RATING	Continuous
MOTOR INSULATION	Class F
PUMP BODY	Cast Iron HT200
MOTOR SHAFT AND IMPELLER	304 grade stainless steel
MECHANICAL SEAL	Carbon / Ceramic
O RINGS	Nitrile

RATED VOLTAGE (V)	1 ph 220 (-6%) to 240V (+6%) 50 hz
RATED CURRENT (A)	5.5A
RATED SPEED (RPM)	2800 - 2 pole
MOTOR TYPE	Asynchronous, TEFC
IP RATING	I.P. 44
SUCTION CONNECTION	1" BSPF
DISCHARGE CONNECTION	1" BSPF
AUTOMATIC OPERATION	No - bare pump only
MOTOR PROTECTION	Auto re-setting thermal overload
CAPACITOR	20uF 450V +/- 5%
CARTON DIMENSIONS	333mm L x 215mm W x 260mm H
GROSS WEIGHT (KG)	13.4kg

CURVE



DIMENSIONS



MODEL	L	W	H	L1	W1	H1	Bolt Hole Ø	DN1	DN2
BIA - FC75M	298mm	190mm	221mm	44mm	160mm	100mm	10mm	1" BSPF In	1" BSPF Out

WARRANTY / CERTIFICATIONS

